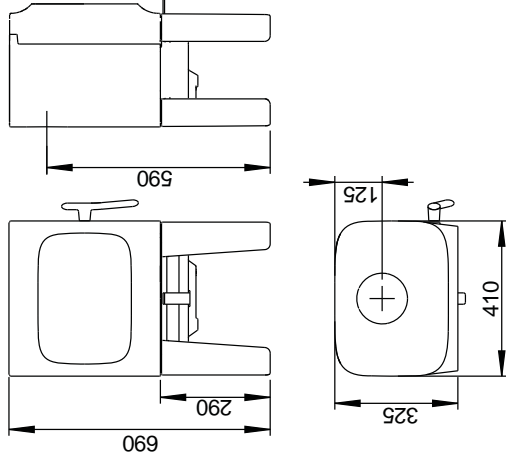


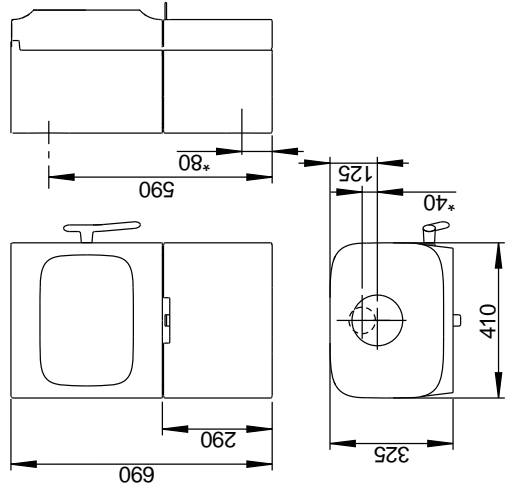
Jøtul F 105 R

Fig. 1 a

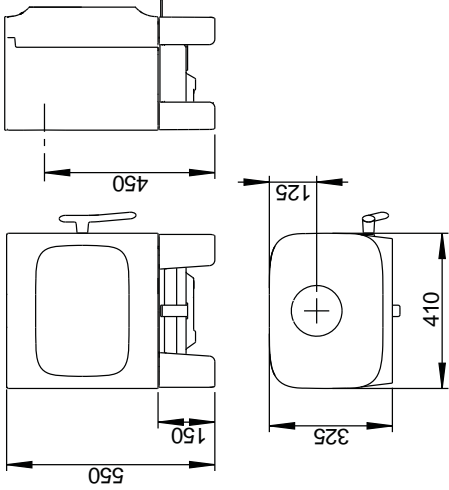
Jøtul F 105 R with long legs



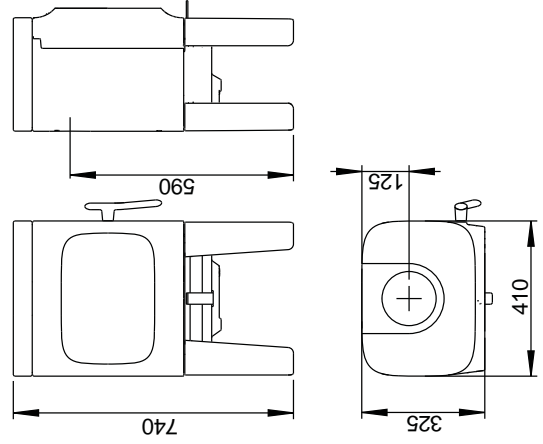
Jøtul F 105 R with base



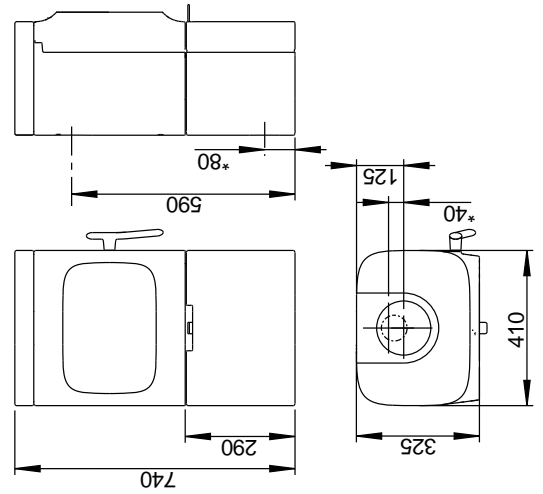
Jøtul F 105 R with short legs



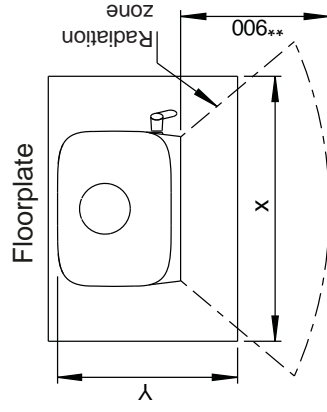
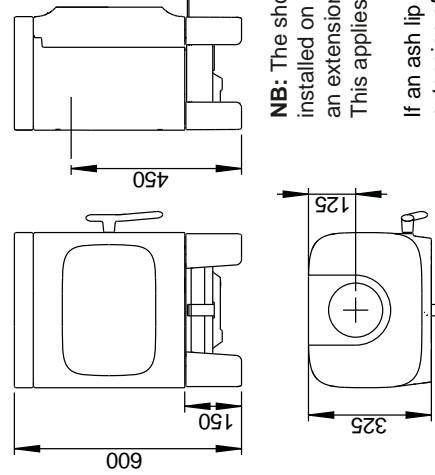
Jøtul F 105 R long legs and soapstone top



Jøtul F 105 R with base and soapstone top



Jøtul F 105 R with short legs and soapstone top



Min. measurements floorplate

X / Y = According to national laws and regulations

** Min. distance to furniture / combustible material

NB: The short legged version (F 105 R SL) can only be installed on a hearth which must have an extension of minimum 500 mm in front of the stove. This applies also if the product rests on a floor plate.

If an ash lip is installed the the hearth must have an extension of 225 mm in front of the stove.

For further information please see Approved Document J2010 Section 2.22.

* Outside air connection

900200-P02

Jøtul F 105 R Min. distance to combustible wall

Combustible wall

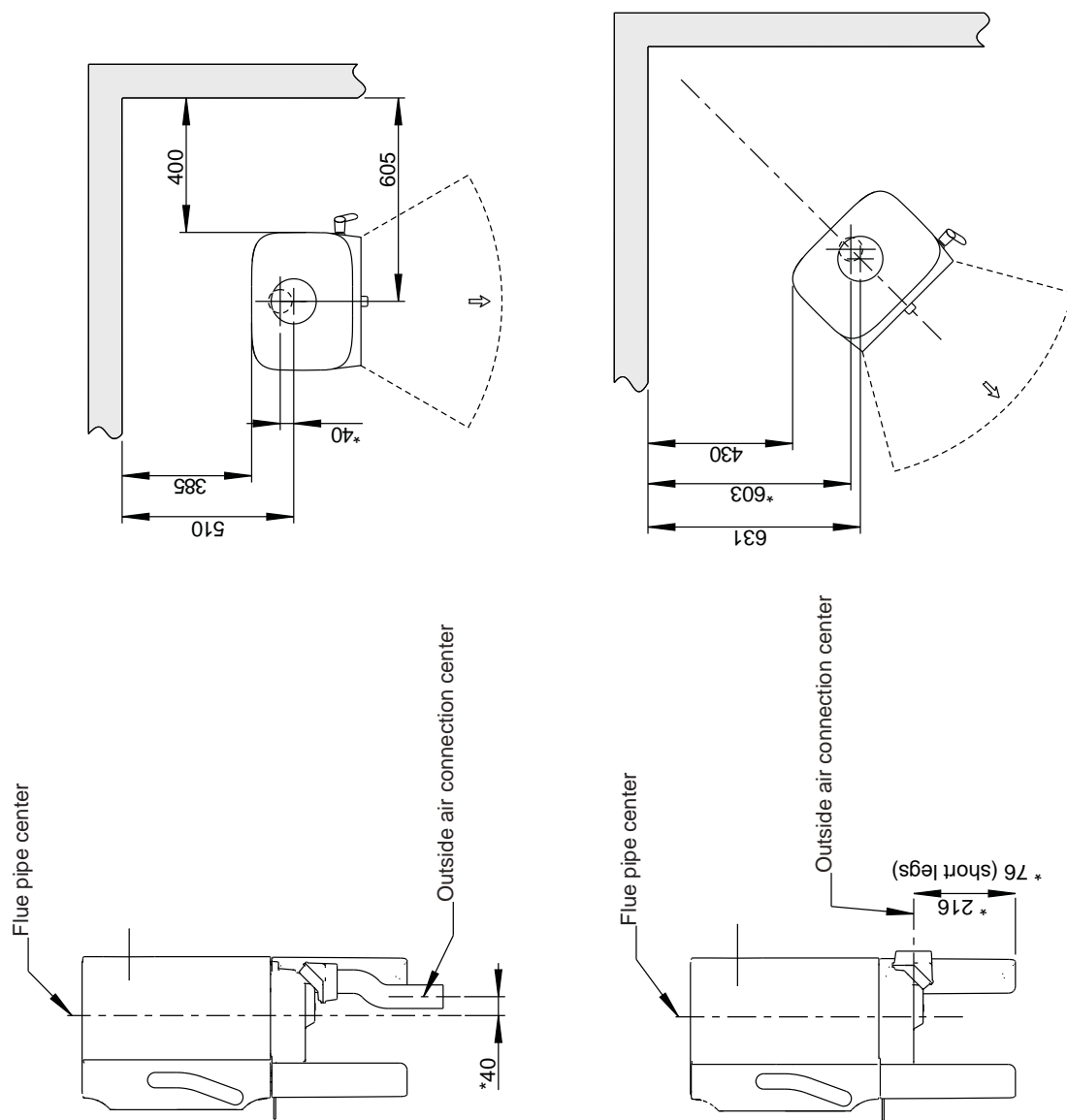
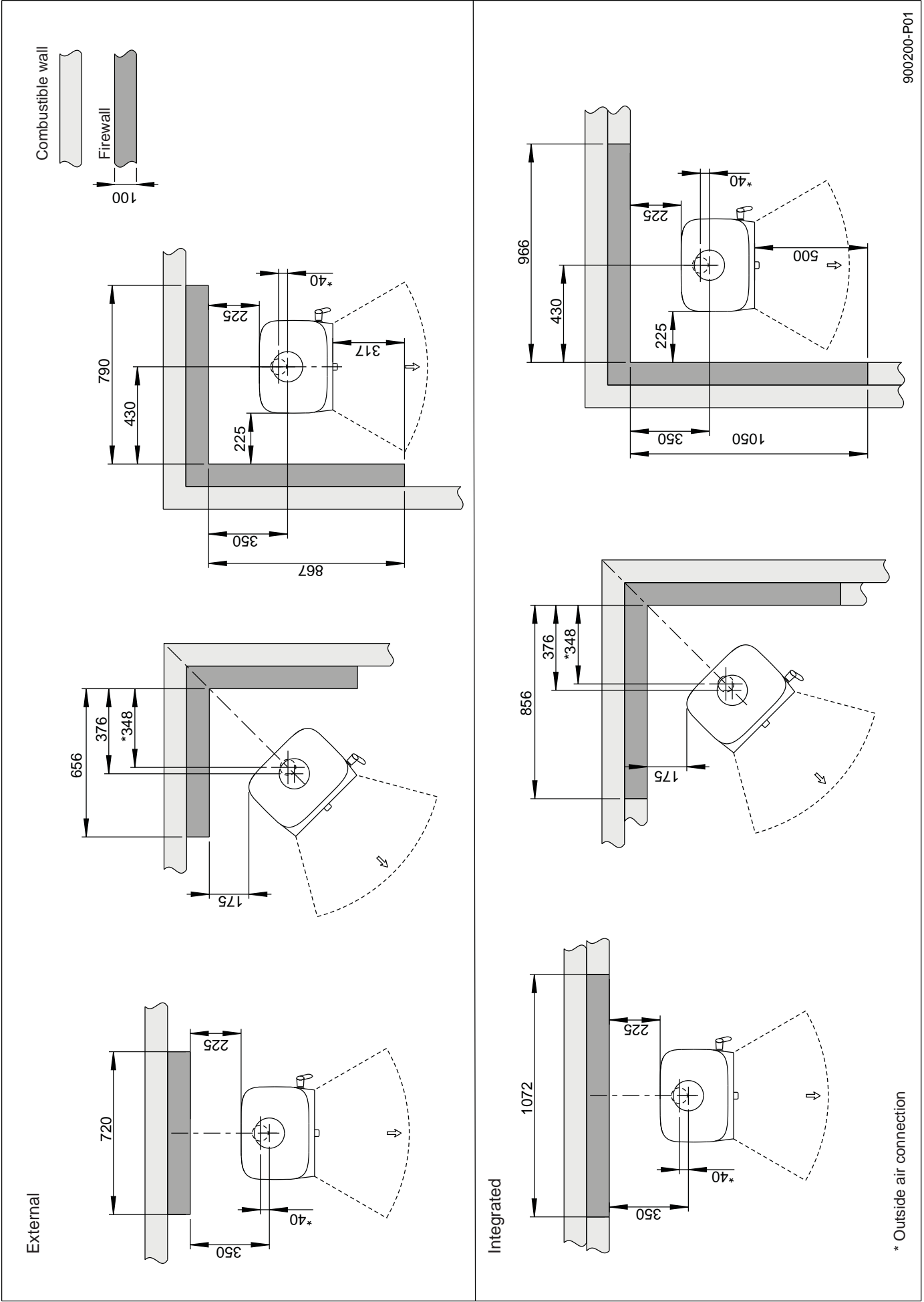



Fig. 1 b

* Outside air connection
 *** Distance to combustible wall with semi-insulated / shielded flue pipe (min.30 mm insulation)

Jøtul F 105 R Min. distance to combustible wall protected by firewall

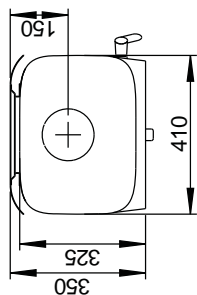
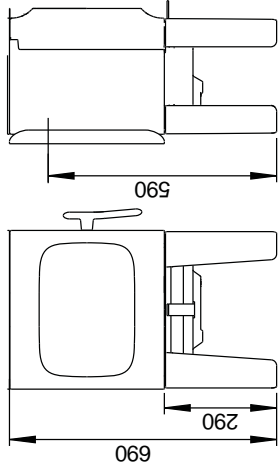
Fig. 1 c



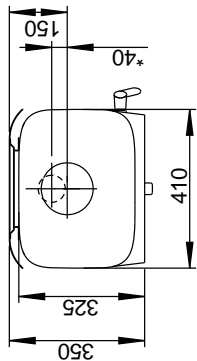
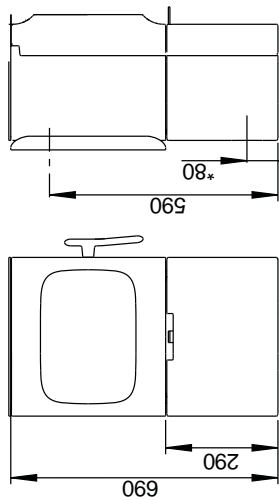
Jøtul F 105

Fig. 1 d

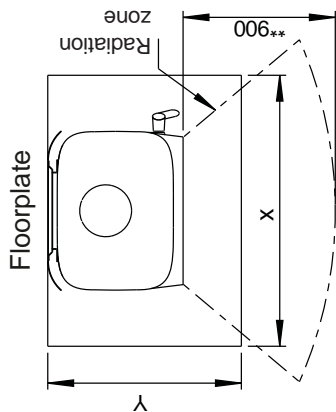
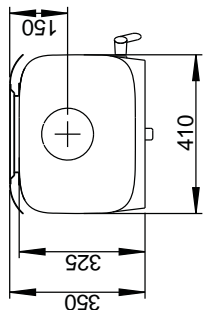
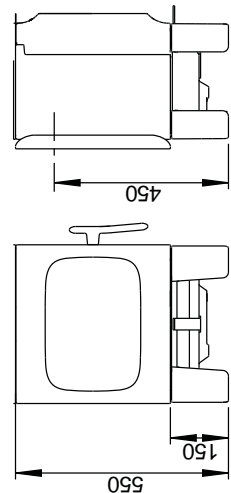
Jøtul F 105 with long legs



Jøtul F 105 with base



Jøtul F 105 with short legs

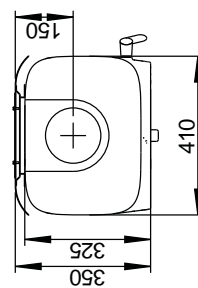
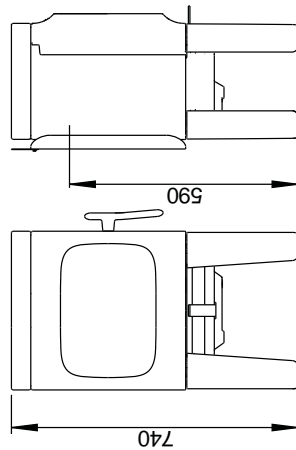


Min. measurements floorplate

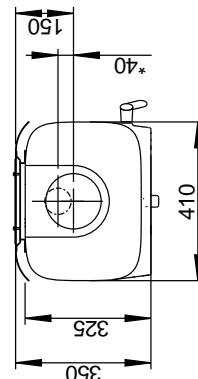
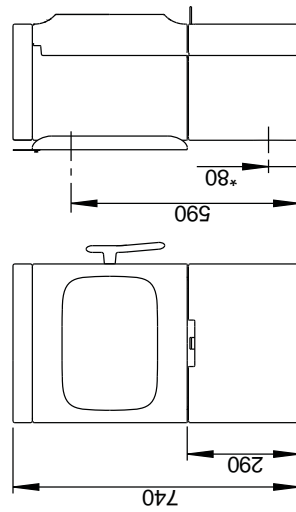
X / Y = According to national laws and regulations

** Min. distance to furniture / combustible material

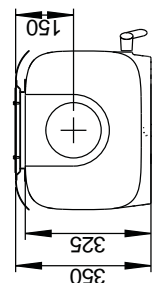
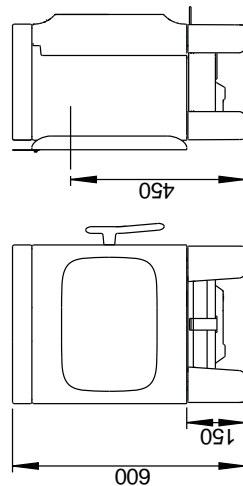
Jøtul F 105 long legs and soapstone top



Jøtul F 105 with base and soapstone top



Jøtul F 105 with short legs and soapstone top



NB: The short legged version (F 105 SL) can only be installed on a hearth which must have an extension of minimum 500 mm in front of the stove. This applies also if the product rests on a floor plate.

If an ash lip is installed the the hearth must have an extension of 225 mm in front of the stove.

For further information please see Approved Document J2010 Section 2.22.

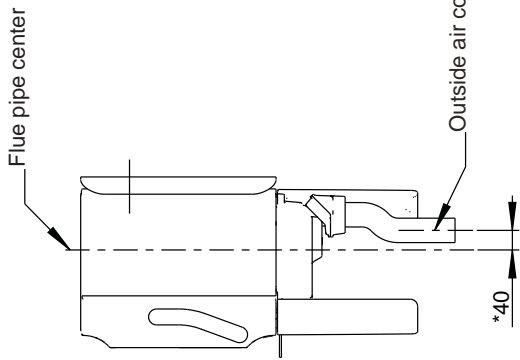
* Outside air connection

900181-F03

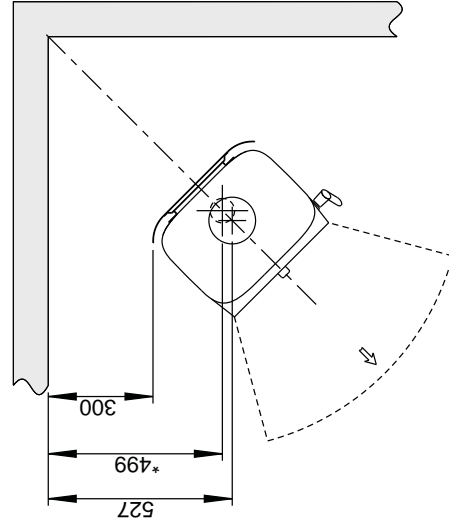
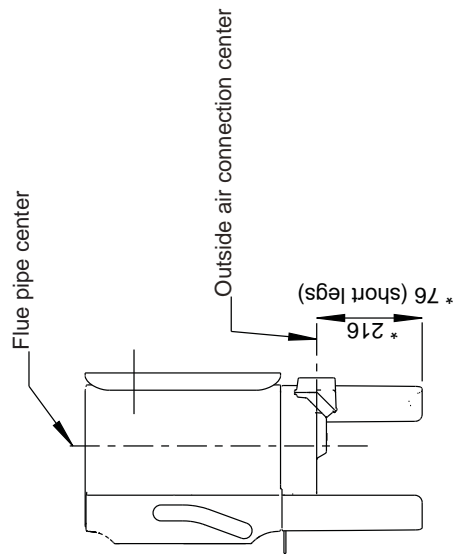
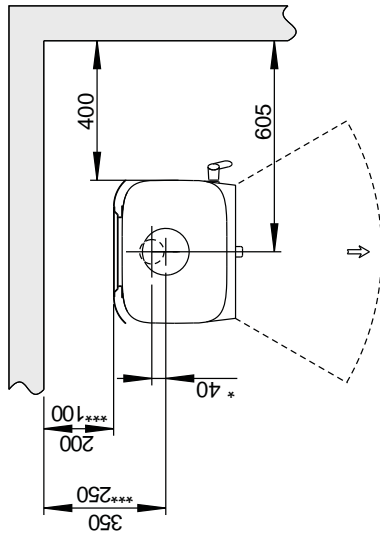
Jøtul F 105 Min. distance to combustible wall

Fig. 1 e

Combustible wall



Med standard konveksjonsplate

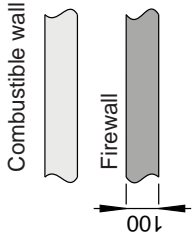
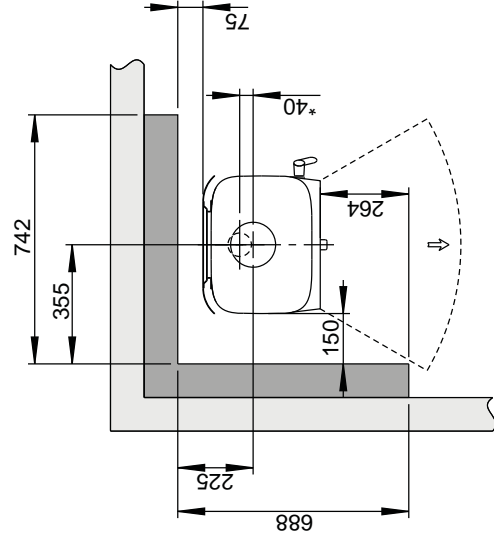
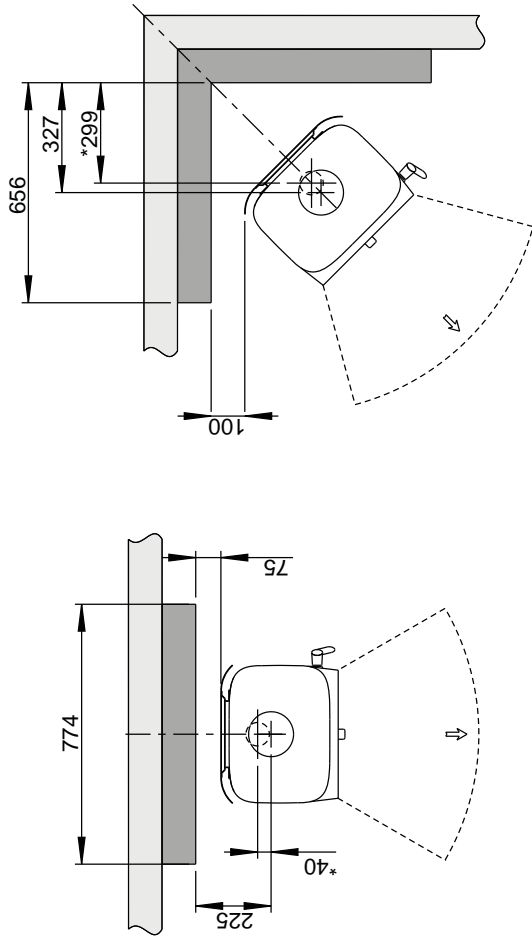


* Outside air connection

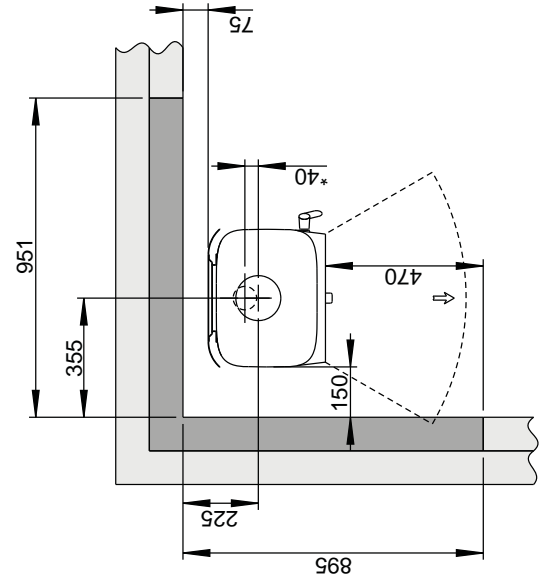
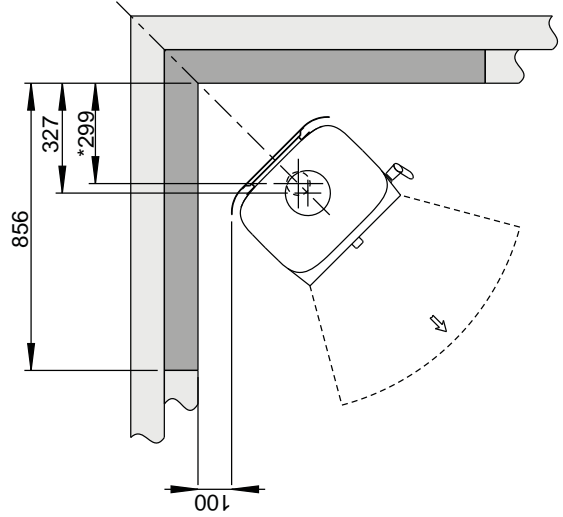
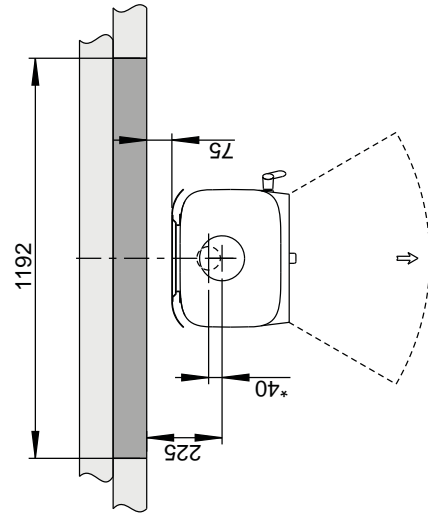
*** Distance to combustible wall with semi-insulated / shielded flue pipe (min.30 mm insulation)

Fig. 1 f Jøtul F 105 Min. distance to combustible wall protected by firewall

External



Integrated



* Outside air connection